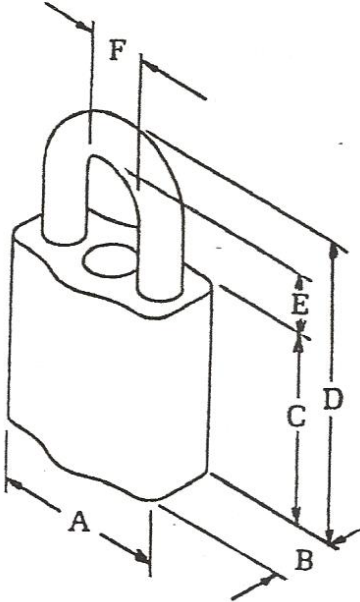


# The Environmental Padlock From Sargent and Greenleaf, Inc.

Featuring:

- Strong powdered metal steel body — Built up around cylinder for added protection and electroless nickel plated inside and out.
- Case hardened or stainless steel shackles offer maximum pull resistance and protection against shimming due to double stainless steel ball locking.
- Highly pick resistant rotating disc cylinder is top loaded for protection against attack.
- Factory controlled high strength keys and blanks prevent unauthorized key duplication. For extra security, key is retained when lock is open.



Model No.	Shackle Diameter	Shackle Material	A	B	C	D	Shackle Clear		Wt. Lbs.
							Vertical	Horiz.	
81-1	9/16	Case hardened steel	2 3/4	1 13/32	2	4 7/16	1 7/8	1 1/4	1.8
83-1	3/8	Case hardened steel *	1 7/8	1 1/8	1 7/8	3 3/8	1 1/8	13/16	.88
83-2	3/8	Case hardened steel *	1 7/8	1 1/8	1 7/8	4 1/4	2	13/16	.97

Notes...

\*Shackle material on 83-1 and 83-2 padlocks are stainless steel.

All padlocks are available keyed alike (KA) or keyed different (KD).

All dimensions are inches.

Model 81-1 is a 5 disc padlock.

Models 83-1 and 83-2 are 6 disc padlocks.